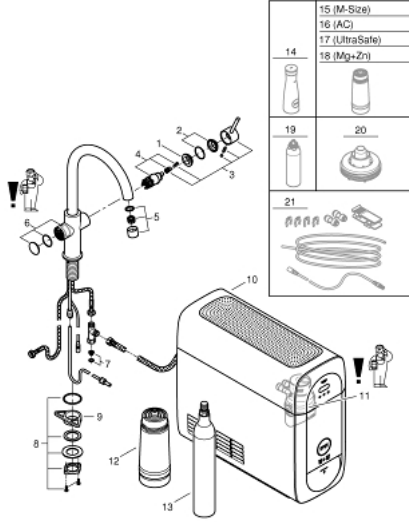


31 455 001 GROHE BLUE HOME C-ÇIKIŞ UÇLU BAŞLANGIÇ KİTİ

ÜRÜN AÇIKLAMASI (2/2)

- System requirements Apple iPhone with iOS 14.0 or higher System requirements Android smart phone with Android 10.0 or higher Mobile devices and GROHE Watersystems App*** are not included in delivery and have to be ordered separately via an authorised Apple store/store/iTunes or Google Play store.* The Bluetooth word mark and logos are registered trademarks owned by Bluetooth SIG, Inc. and any use of such marks by Grohe AG is under license. Other trademarks and trade names are those of their respective owners.** Apple, the Apple logo, iPod, iPod Touch, iPhone and iTunes are trademarks of Apple Inc., registered in the U.S. and other countries. Apple is not responsible for the function of this device or its compliance with safety and regulatory standards.*** Available for free via iTunes app or Google Play store.
- Belgaqua tarafından onaylanmış bir çekvalf (EA)
- Connected product pursuant to regulation (EU) 2023/2854. Pre contractual information at <https://eu-data-act.grohe.com/>

31 455 001 GROHE BLUE HOME C-ÇIKIŞ UÇLU BAŞLANGIÇ KİTİ



YEDEK PARÇALAR, Eylül 2021 – now

- 1: Montaj halkası (Sipariş no. 07419000)
- 2: Kapak (Sipariş no. 46581000)
- 3: Kumanda Kolu (Sipariş no. 46957000)
- 4: Kartuş (Sipariş no. 46580000)
- 5: Mousseur GROHE Blue U and C spout (Sipariş no. 48343000)
- 6: Operasyon ünü. (Sipariş no. 46958000)
- 7: Filtre (Sipariş no. 47576000)
- 8: Vida bağlantılı montaj (Sipariş no. 48384000)
- 9: Destek plakası (Sipariş no. 05334000)
- 10: Soğutucu (Sipariş no. 40711001)
- 11: Filtre başlığı (Sipariş no. 48344000)
- 12: GROHE Blue Filtre (Sipariş no. 40404001)
- 13: Starter kit 425 g CO₂ bottles (4 pieces) (Sipariş no. 40422000)
- 14: Cam karaf (Sipariş no. 40405000)*
- 15: GROHE Blue Filtre (Sipariş no. 40430001)*
- 16: GROHE Blue Filtre (Sipariş no. 40547001)*
- 17: GROHE Blue Filtre Ultrasafe, 3000l (Sipariş no. 40575001)*
- 18: GROHE Blue Filtre (Sipariş no. 40691001)*
- 19: Temizleme kartuşu (Sipariş no. 40434001)*
- 20: cleaning cartridge adapter (Sipariş no. 40694000)*
- 21: Uzatma seti (Sipariş no. 40843000)*

*Özel aksesuarlar